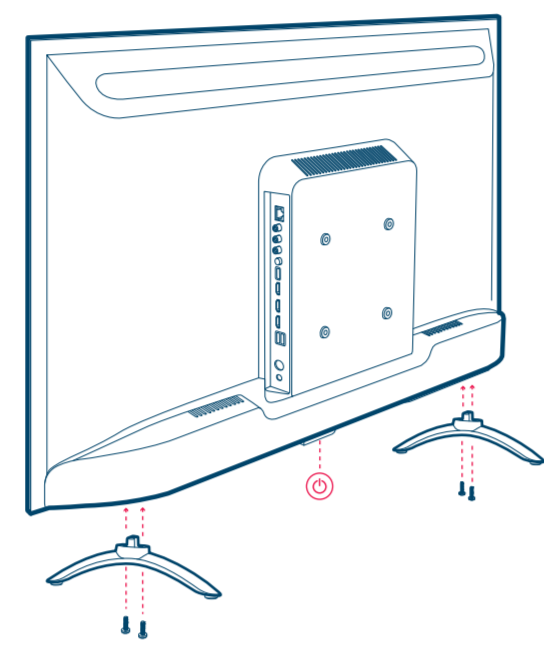


## TV Safety Notice and Installation Guide

### • Installation



#### 01 Installation (Table Top)

Insert Left/Right Stand Base to TV as shown in the picture and fasten them using screws.  
Note: 1) For installation in wall, kindly contact customer care for help. 2) Wall/Bracket should be a part of standard assembly.

#### 02 Turn on the TV

Connect TV power cord to ac power outlet carefully. Plug the power button located at bottom of TV (or press power button on remote), to turn it on. Follow screen instructions of quick start guide to setup TV.

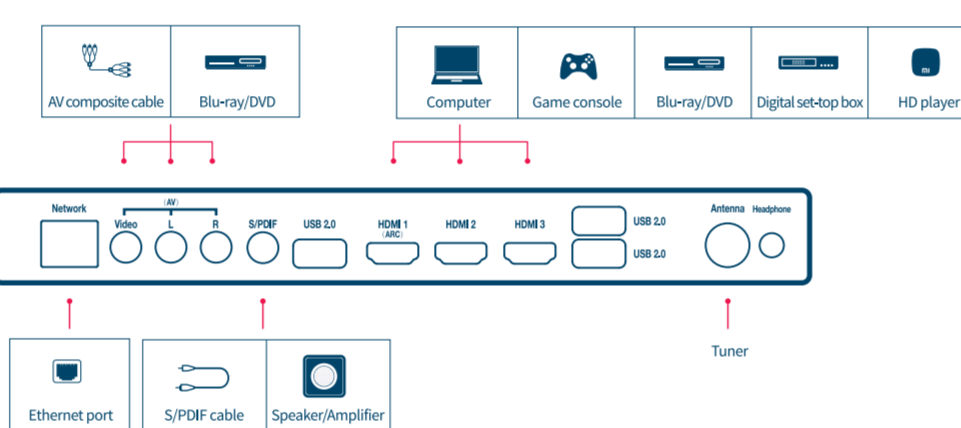
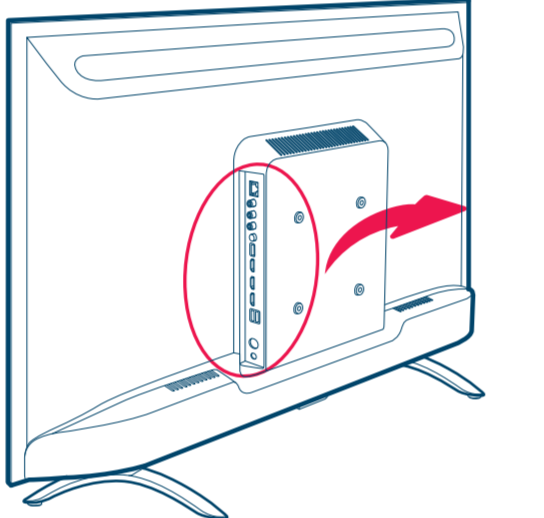
Great things are going to happen!

### • Accessories

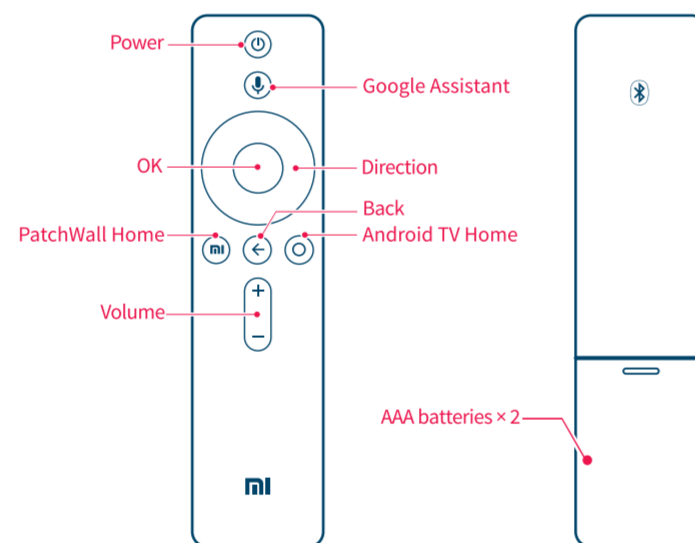


Note: 1) Accessory items may vary depending upon model. 2) Specifications may change without prior notice. Recommended visiting website: [www.vivi.com](http://www.vivi.com) for latest updates.

### • TV interface



### • Using the remote control



**Power:** Short press to power off TV. Long press to select Power off or Restart TV.  
**Google Assistant:** Short press and release to talk to Google Assistant.  
**OK:** Press to confirm current selection during navigation. You can also play the current video during playback, except Live Channels (Set Top Box or RF).  
**Android TV Home:** Short press to quickly return to the Android TV Home screen.  
**PatchWall Home:** Short press to quickly return to the PatchWall Home screen.  
**Direction:** Navigate up/down or left/right through content. During playback use left/right buttons to rewind/fast-forward.  
**Back:** Go back to the previous level.

### • Specs

Basic Specs	Screen size: 108cm Screen resolution: FHD (1920x1080) Refresh rate: 60Hz	Wireless Connectivity	Wi-Fi: 2.4GHz/5GHz/11n/g/n Bluetooth: BT4.2
Hardware Specs	CPU: Quad-core CAS3 Internal memory: 1GB DDR Flash memory: 8GB eMMC Graphics processor: Mali-450MP	Audio and Video Encoding	Audio formats: FLAC, AAC, DTS, DTS+D Video formats: MPEG-1/2/4, H.264, H.265, VC1
Ports	Input interface: HDMI x 3, AV x 1, Antenna x 1 Output interface: Digital audio output (S/PDIF) x 1 Audio Output: HDMI (ARC), L, HeadPhone x 1 Data interface: USB2.0 x 2, Ethernet port x 1	Model	Android TV Model: L43MS-AN

### • Important precautions

**Installation**  
• Do not install the TV in a place where it will be subjected to direct sunlight.  
• Place the TV on a smooth, flat surface to avoid any damage to the screen.  
• Do not touch the screen or the bezel of the TV when it is powered on.  
• Do not use the TV in a place where it will be subjected to high humidity or high temperature.  
• Do not use the TV in a place where it will be subjected to strong magnetic fields.  
• Do not use the TV in a place where it will be subjected to strong vibrations.

**Warning**  
• Do not touch the screen when the TV is powered on.  
• Do not touch the screen when the TV is powered on.  
• Do not touch the screen when the TV is powered on.  
• Do not touch the screen when the TV is powered on.

**Verifications**  
• Do not use the TV in a place where it will be subjected to high humidity or high temperature.  
• Do not use the TV in a place where it will be subjected to strong magnetic fields.  
• Do not use the TV in a place where it will be subjected to strong vibrations.

**Wall mounting**  
• Do not use the TV in a place where it will be subjected to high humidity or high temperature.  
• Do not use the TV in a place where it will be subjected to strong magnetic fields.  
• Do not use the TV in a place where it will be subjected to strong vibrations.

**AC power cord**  
• Do not use the TV in a place where it will be subjected to high humidity or high temperature.  
• Do not use the TV in a place where it will be subjected to strong magnetic fields.  
• Do not use the TV in a place where it will be subjected to strong vibrations.

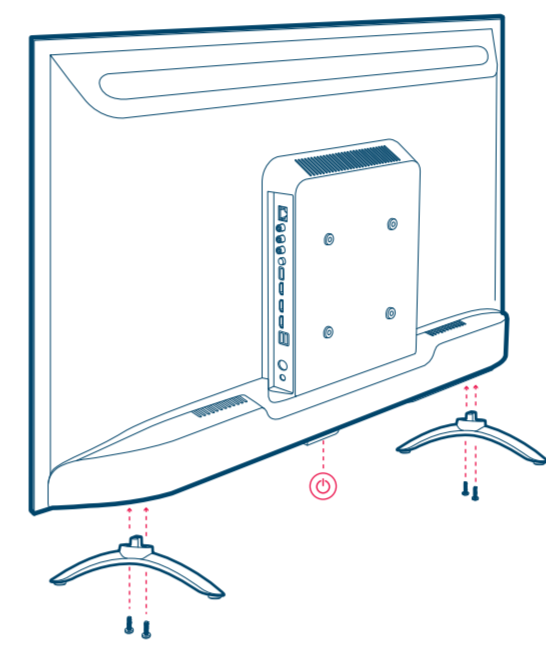
**Children**  
• Do not use the TV in a place where it will be subjected to high humidity or high temperature.  
• Do not use the TV in a place where it will be subjected to strong magnetic fields.  
• Do not use the TV in a place where it will be subjected to strong vibrations.

**Optimal views**  
• Do not use the TV in a place where it will be subjected to high humidity or high temperature.  
• Do not use the TV in a place where it will be subjected to strong magnetic fields.  
• Do not use the TV in a place where it will be subjected to strong vibrations.

## Panduan Keamanan TV dan Panduan Instalasi

WISAP PLAZA DISTRIBUTOR  
Pusat Perawatan dan  
Pusat Penjualan Resmi di Seluruh Indonesia  
Jl. Jendral Sudirman No. 100, Jakarta Selatan, Indonesia  
Telp: 021-52000000  
www.vivi.com

### • Instalasi



#### 01 Instalasi (Di Atas Meja)

Pasangkan Dudukan TV Kanan/Kiri seperti yang ada di gambar dan kencangkan dengan menggunakan sekrup.  
Catatan: 1) Sediakan lubang banyar pengingat untuk pemasangan di dinding. 2) Braket/Bracket harus bagian dari standar assembly.

#### 02 Menyalakan TV

Sambungkan kabel listrik TV ke soket listrik AC dengan hati-hati. Tekan tombol Power yang berada di bawah TV (atau tekan tombol Power di Remote Control) untuk menyalakannya. Ikuti petunjuk pada layar menu untuk memulainya pengaturan pada TV.

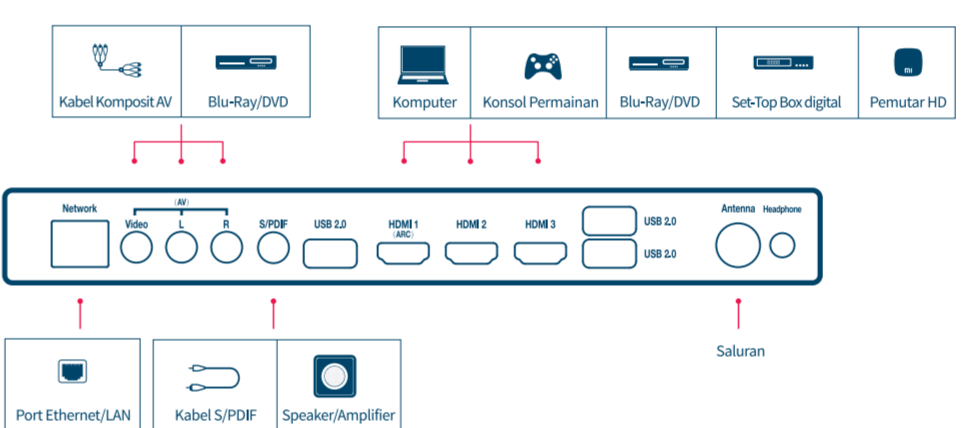
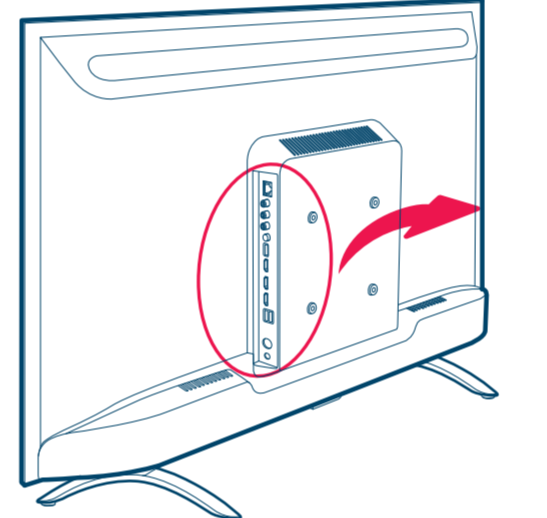
Hal-hal hebat akan terjadi!

### • Aksesori

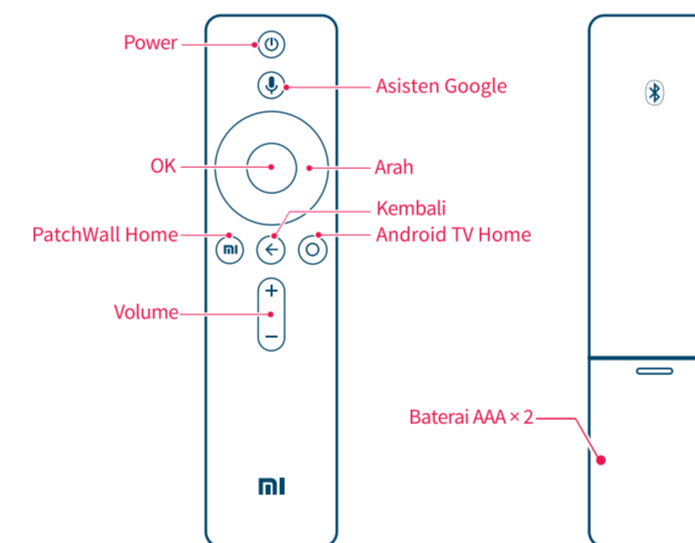


Catatan: 1) Aksesori mungkin berbeda tergantung pada model. 2) Spesifikasi dapat berubah tanpa pemberitahuan sebelumnya. Disarankan untuk mengunjungi situs web [www.vivi.com](http://www.vivi.com) untuk pembaruan terbaru.

### • Antarmuka TV



### • Menggunakan Remote Control



**Power:** Tekan sekali untuk mematikan TV. Tekan lama untuk memilih Mematikan atau Menyalakan TV Kembali.  
**Asisten Google:** Tekan sebentar dan lepaskan untuk berbicara pada Google Assistant.  
**OK:** Tekan untuk mengonfirmasi pilihan saat ini selama navigasi. Anda bisa Play/Pause video, pemutaran video, keacakan saluran langsung (Set Top Box atau RF).  
**Android TV Home:** Tekan sebentar untuk kembali ke layar Android TV Home.  
**PatchWall Home:** Tekan sebentar untuk kembali ke layar PatchWall Home.  
**Arah:** Arahkan ke atas/bawah atau kiri/kanan melalui konten, selama pemutaran gambarkan kembali ke kanan untuk memundurkan/cepatkan pemutaran.  
**Kembali:** Kembali ke halaman sebelumnya.

### • Spesifikasi

Spesifikasi Dasar	Ukuran Layar: 108cm Resolusi Layar: FHD (1920x1080) Refresh rate: 60Hz	Konektivitas Nirkabel	Wi-Fi: 2.4GHz/5GHz/11n/g/n Bluetooth: BT4.2
Spes Peringkat Keras	CPU: Quad-core CAS3 Memori Internal: 1GB DDR Memori Flash: 8GB eMMC Prosesor Grafis: Mali-450MP	Format Audio dan Video	Format Audio: FLAC, AAC, DTS, DTS+D Format Video: MPEG-1/2/4, H.264, H.265, VC1
Port	Input Penghubung: HDMI x 3, AV x 1, Antenna x 1 Output Penghubung: audio digital output (S/PDIF) x 1 Audio Output: HDMI (ARC), L, HeadPhone x 1 Data Penghubung: USB2.0 x 2, Port Ethernet x 1	Model	TV Android Model: L43MS-AN Voltase: 100-240V ~ 50/60Hz Klasifikasi Daya: TWS

### • Tindakan pencegahan

**Instalasi**  
• Do not install the TV in a place where it will be subjected to direct sunlight.  
• Place the TV on a smooth, flat surface to avoid any damage to the screen.  
• Do not touch the screen or the bezel of the TV when it is powered on.  
• Do not use the TV in a place where it will be subjected to high humidity or high temperature.  
• Do not use the TV in a place where it will be subjected to strong magnetic fields.  
• Do not use the TV in a place where it will be subjected to strong vibrations.

**Peringatan**  
• Do not touch the screen when the TV is powered on.  
• Do not touch the screen when the TV is powered on.  
• Do not touch the screen when the TV is powered on.  
• Do not touch the screen when the TV is powered on.

**Verifikasi**  
• Do not use the TV in a place where it will be subjected to high humidity or high temperature.  
• Do not use the TV in a place where it will be subjected to strong magnetic fields.  
• Do not use the TV in a place where it will be subjected to strong vibrations.

**Pemasangan Dinding**  
• Do not use the TV in a place where it will be subjected to high humidity or high temperature.  
• Do not use the TV in a place where it will be subjected to strong magnetic fields.  
• Do not use the TV in a place where it will be subjected to strong vibrations.

**Kabel Listrik AC**  
• Do not use the TV in a place where it will be subjected to high humidity or high temperature.  
• Do not use the TV in a place where it will be subjected to strong magnetic fields.  
• Do not use the TV in a place where it will be subjected to strong vibrations.

**Pencegahan**  
• Do not use the TV in a place where it will be subjected to high humidity or high temperature.  
• Do not use the TV in a place where it will be subjected to strong magnetic fields.  
• Do not use the TV in a place where it will be subjected to strong vibrations.

**Menggunakan dan memelihara layar sentuh pada TV**  
• Do not use the TV in a place where it will be subjected to high humidity or high temperature.  
• Do not use the TV in a place where it will be subjected to strong magnetic fields.  
• Do not use the TV in a place where it will be subjected to strong vibrations.

**Aksesori**  
• Do not use the TV in a place where it will be subjected to high humidity or high temperature.  
• Do not use the TV in a place where it will be subjected to strong magnetic fields.  
• Do not use the TV in a place where it will be subjected to strong vibrations.

**Hal opsional**  
• Do not use the TV in a place where it will be subjected to high humidity or high temperature.  
• Do not use the TV in a place where it will be subjected to strong magnetic fields.  
• Do not use the TV in a place where it will be subjected to strong vibrations.