



Mi Robot Builder Rover User Manual

Specifications

Name: Mi Robot Builder Rover

Model: JMJQR03IQI

Materials: ABS, PC

Number of pieces: 978

Weight: 2500 g

Dimensions: 380x320x95 mm

Age: 10 years+

Input voltage: 14 V 

Input: 1.0 A

Battery: Li - polymer

Battery capacity: 18.3 Wh

Intelligent brick: Bluetooth

Wireless connectivity: Bluetooth 4.0

BLE operating frequency: 2402 MHz-2483 MHz

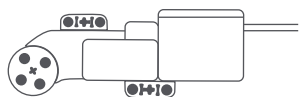
Transmit power: 0 dbm

2.4G Radio frequency: 2402 MHz-2483 MHz

Transmit power: 0 dbm

Storage temperature: -10°C~45°C

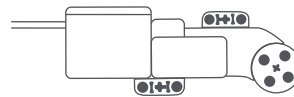
Operating temperature: 0°C~55°C



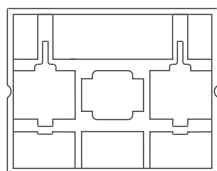
Motor 1



Intelligent brick



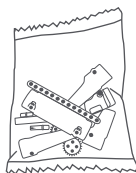
Motor 2



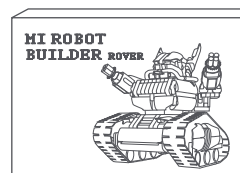
Storage box



Adapter



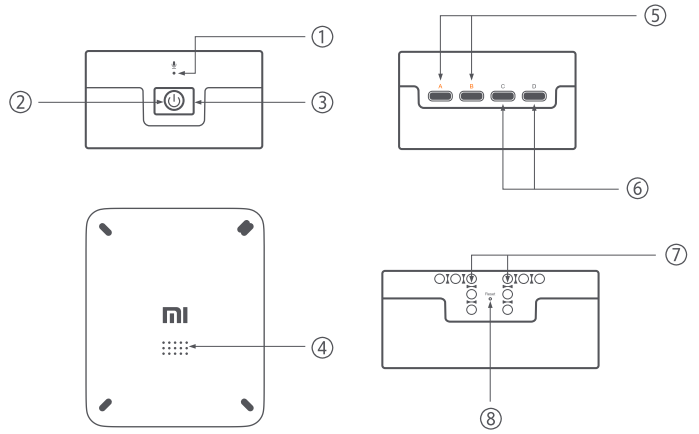
Building bricks



Building instruction

Product Overview

1. Intelligent Brick

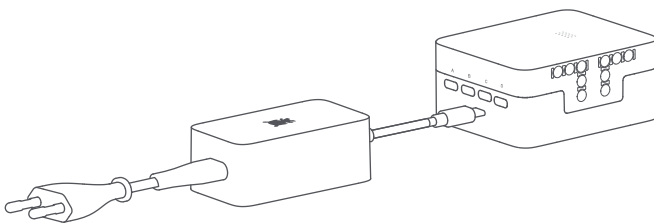


- ① Microphone
- ② Indicator
- ③ Power Button
- ④ Speaker
- ⑤ Motor Ports
- ⑥ Expansion Ports
- ⑦ Pin Holes
- ⑧ Reset Hole

2. Adapter

Use only the provided power adapter.

Ports A, B, C, D can be used for charging



Adapter Model: AD10002

Input: 100 - 240 V ~ 50 / 60 Hz 0.5 A MAX

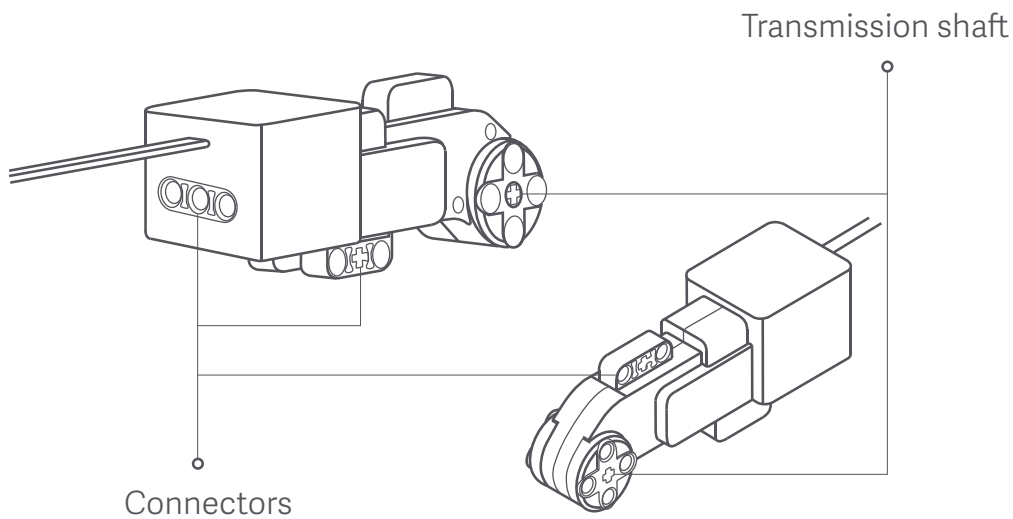
Output: 14V \equiv 1 A / 5V \equiv 1 A

Charging: Indicator light is red.

Fully charged: Indicator light is off.

The light is green when turning on the intelligent brick.

3. Motor



Assembling Mi Robot Builder Rover

1. Before you start

Put small bricks in the storage box, and large bricks in the bag.

2. Build your robot

Follow the building instruction or download the e-version from the Help in the Mi Robot Builder app to assemble the bricks.

3. Inspect your robot

Make sure the controller is fully charged when the robot is on its first use.

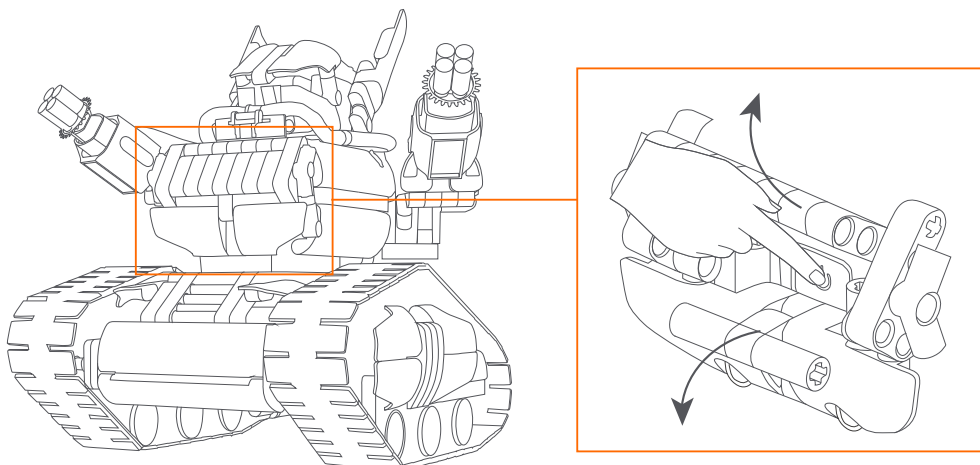
Make sure the motors are tightly connected with blocks.

Make sure you followed the building instruction when you were assembling your robot.

Turning on/off

Turning on: press the power button

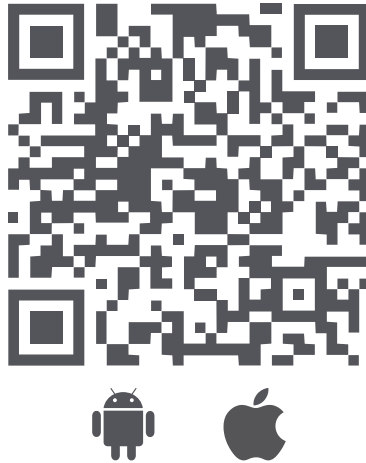
Turning off: press and hold the power button for 3 seconds until you hear a sound prompt



Installing the app

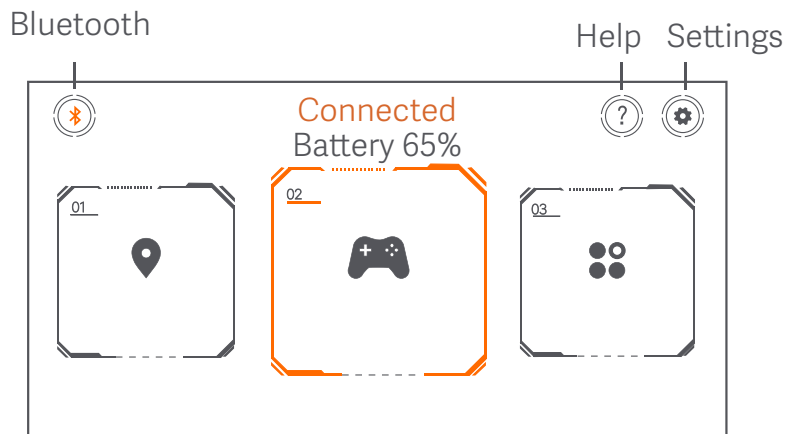
1. Download the app

Scan the QR code below or go to App store to download and install "Mi Robot Builder".



2. Connecting your robot

Make sure your phone's Bluetooth is turned on. Open the Mi Robot Builder app and tap the Bluetooth icon in the upper left corner to connect your robot.



3. Firmware updates and support

Make sure your phone is connected to the internet (preferably via Wi-Fi).

Open the app and connect your robot, and then go to Settings > System updates > Firmware updates.

It takes about 20 minutes to update the firmware.

Please note following:

- Make sure the motor is off during the updates. Otherwise, the parameters may be reset and which may result in malfunction.
- Make sure the controller is fully charged before the update.
- Keep your phone away from the controller during the update.
- Refer to the "Help" in the app to learn more.

Precaution

- Do not disassemble the controller and the motor.
- Do not expose the product to sunlight, fire, heat or environments where temperature is above 60°C (140°F).
- Do not short circuit the product in any way.
- Do not crush, puncture or strike the product.
- Children under 10 years old must be accompanied by adults while playing the product.
- Children under 3 years old must not use the product, as it contains small parts that can cause suffocation.
- During charging, the battery must be placed in a well-ventilated area.
- Regularly check the charger for damages in the cord, plug, enclosure, and other parts. If damage is detected, stop using the charger before it's repaired.
- Batteries are only to be charged by adults.

Declaration of Conformity

- We Beijing AIQI Technology Co., Ltd., hereby, declares that this equipment is in compliance with the applicable Directives and European Norms, and amendments.
- WEEE Disposal and Recycling Information Correct Disposal of this product. This marking indicates that this product should not be disposal with other household wastes throughout the EU.
- To prevent possible harm to the environment or human health from uncontrolled waste disposal, recycle it responsibly to promote the sustainable reuse of materials resources. To return your used device, please use the return and collection systems or contact the retailer where the product was purchased. They can take this product for environmental safe recycling.

Acceptable flexible cords for cord connected power units

Flexible cord type	Maximum length, feet (m)
NISPT-2 2X18AWG	1.5 (m)

We declare that Toys is in compliance with the essential requirement and relevant provisions of Directive 2009/48/EU.

Environmentally friendly disposal

Old electrical appliances must not be disposed of together with the residual waste, but have to be disposed of separately. The disposal at the communal collecting point via private persons is for free. The owner of old appliances is responsible to bring the appliances to these collecting points or to similar collection points. With this little personal effort, you contribute to recycle valuable raw materials and the treatment of toxic substances.



Troubleshooting

Issues	Possible reasons	Solutions
Power button doesn't respond	The controller's battery is low	Charge the controller
Can't connect via Bluetooth	The controller is off	Turn the controller on
	Your phone's Bluetooth is off	Turn on Bluetooth on your phone
Indicator light turns red after a firmware upgrade and an error sound prompt is played	Bluetooth disconnected	Connect via Bluetooth again
	The controller's battery is low	Charge the controller
The program doesn't run	Bluetooth disconnected	Connect via Bluetooth again
	You haven't tapped the Play button	Tap the Play button
	You turned off the Programming mode	Turn on Programming mode
The indicator light doesn't turn red when charging	The power adapter isn't connected properly	Connect the power adapter properly
The robot walks shakily	The robot isn't assembled properly	Read building instruction to make sure you've assembled the robot properly
Can't use the app to control the robot	Bluetooth disconnected	Connect via Bluetooth again
Can't charge	You're using an incompatible power adapter	Use a compatible power adapter

Press the Reset button if you can't solve the issues using the solutions above.

Read this manual carefully before use, and retain it for future reference.

Principal: Xiaomi Communications Co., Ltd.

Manufacturer: Beijing AIQI Technology Co., Ltd.

(a Mi Ecosystem Company)

Address: Room 1203, Block D, No. 9/11 Shangdi 3rd St., Haidian District, Beijing